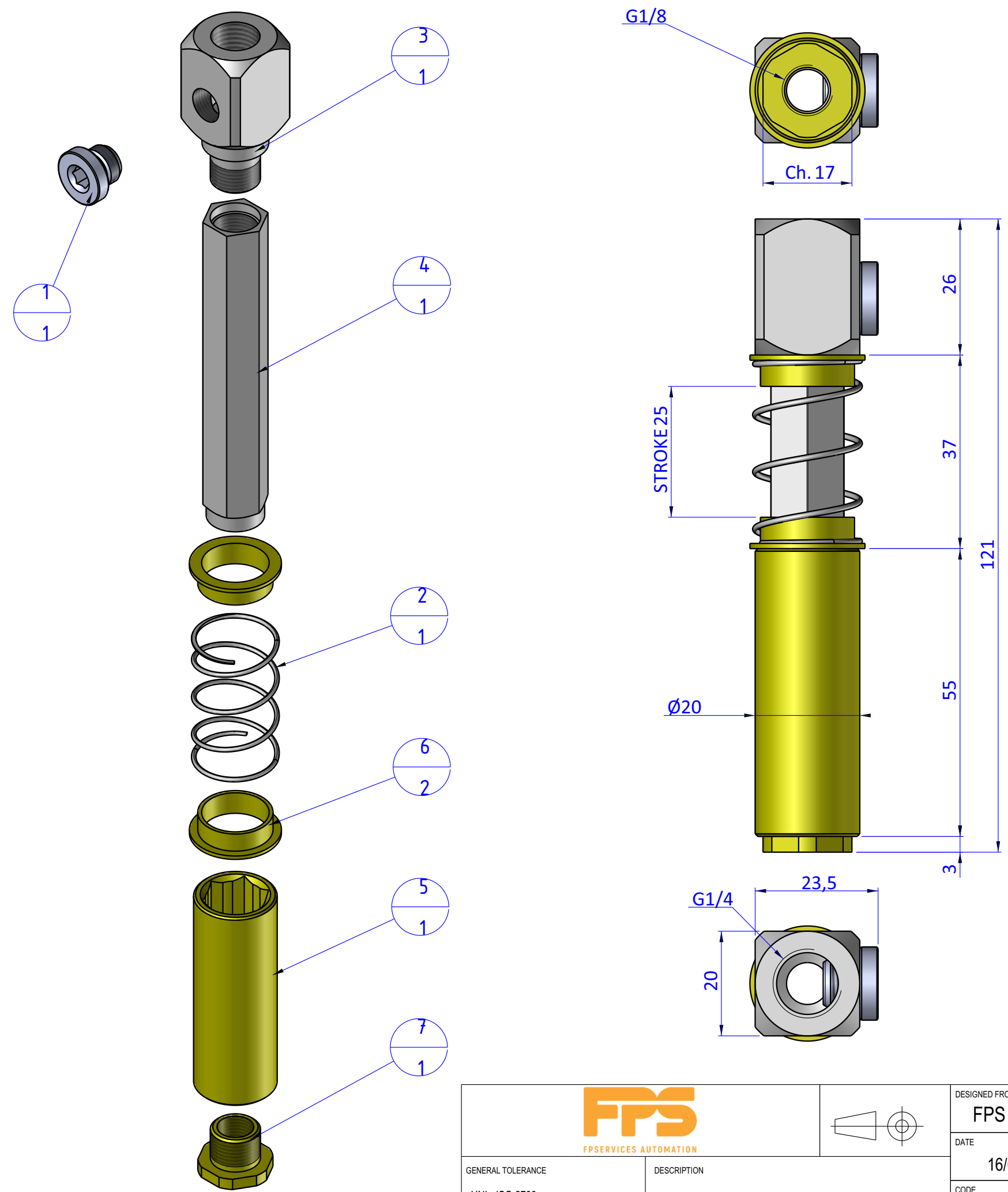


THE PROPERTY OF THE DRAWING IS ESTABLISHED BY LAW. IT IS FORBIDDEN TO PRODUCE OR SHOW IT TO THIRD PART. WITHOUT A WRITTEN AGREEMENT.

| Item | Name | Q.ty |
|------|----------------|------|
| 1 | CA.08.14.014 | 1 |
| 2 | M.21x44 | 1 |
| 3 | SAE.20141825.1 | 1 |
| 4 | SAE.20141825.2 | 1 |
| 5 | SAE.20141825.3 | 1 |
| 6 | SAE.20141825.4 | 2 |
| 7 | SAE.20141825.5 | 1 |



Format A3
UNI 936-76

| | | | | |
|-------------------|--|-----------------|-----------------|--------|
| | | DESIGNED FROM | | REVIEW |
| | | FPS Automation | | A |
| GENERAL TOLERANCE | | DATE | WEIGHT | |
| UNI - ISO 2768 | | 16/09/2020 | 0,137kg | |
| CLASSE f | | DESCRIPTION | CODE | |
| | | CA.SAE.20141825 | CA.SAE.20141825 | |